



VERSACOAT PREDUSTER ■ BREADER



The Most Versatile & Efficient Machine Available!

- No augers
- 14", 24" & 40" Belt widths
- Hydraulic or electric drives
- Includes air knife and blower
- Includes compression roller



CE
USDA
CA

The VersaCoat Runs it All...
J Crumb ■ Flour ■ ABC
Nuts ■ Seasonings

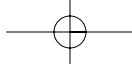
- Accepts battered product
- Compact design saves valuable line space
- Opens for easy cleaning
- Closes for dust control

NOTHUM

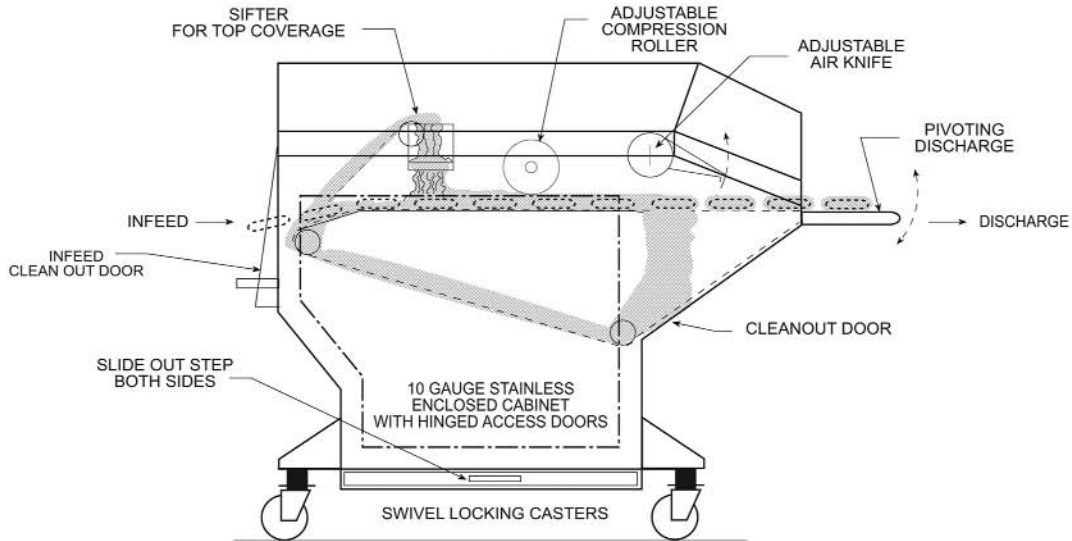
FOOD PROCESSING SYSTEMS

COATING SOLUTIONS





nothum



Versa Coat

General Specifications

	VC 14	VC 24	VC 40
Length O/A	88"	88"	88"
Width O/A	29"	39"	53"
Height O/A	63"	63"	63"
Infeed Height	36"	36"	36"
Discharge Height	36"	36"	36"
Actual Belt Width	16"	26"	40"

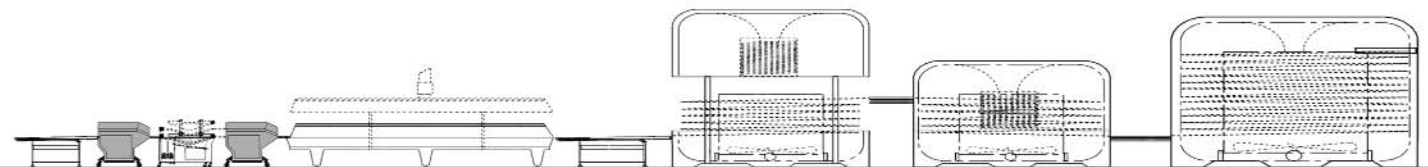
VC 14, VC 24 and VC 40

Electrically driven 240V 3ph 20amp / 480V 3ph 10amp
 Hydraulically driven 20gpm at 800psi

*Specifications are approximate and subject to change

Includes: Flat-bed preduster/breeder, Stainless steel uni-frame construction, Flat flex wire belt, Adjustable bullet-nose discharge, Stainless steel compression roller, Air knife and blower, Swivel locking casters, Electric or hydraulic motors, Touch screen and PLC, Dust covers, Automatic add hopper and breading level sensor, *Runs flour and crumb coatings*

Options: 200 pound bulk feed hopper



Nothum's equipment, processes and concepts may be covered by one or more of the following US patents.
 Other domestic and international patents pending.
 5937744, 6158322, 6305274, 6510810, 6976369, 7107899

631 South Kansas, Springfield, MO 65802 USA

Phone 1-417-831-2816 Toll Free 1-800-435-1297 Fax 1-417-866-4781

nothum@nothum.com

www.nothum.com

